

# HD11N

## Knife switch

Solar accessories manual



Add: Xinguang Industrial Zone, Liushi, Yueqing Zhejiang China

Tel: +86 577 6289 0205

E-mail: [tony@chinasuntree.com](mailto:tony@chinasuntree.com)

[www.chinasuntree.com](http://www.chinasuntree.com)

# PV

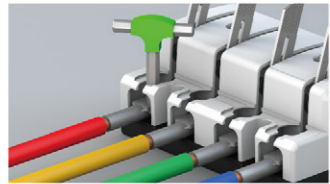
Meet the requirements of PV grid-connected box and improve the scope of application of the product.

# 50 °C

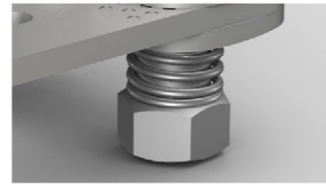
Low temperature rise, no derating at 50 °C

# 20%

Small size, 20% smaller than other manufacturers, and reduced installation size.



Enables wiring without removing the top cover and increases productivity.



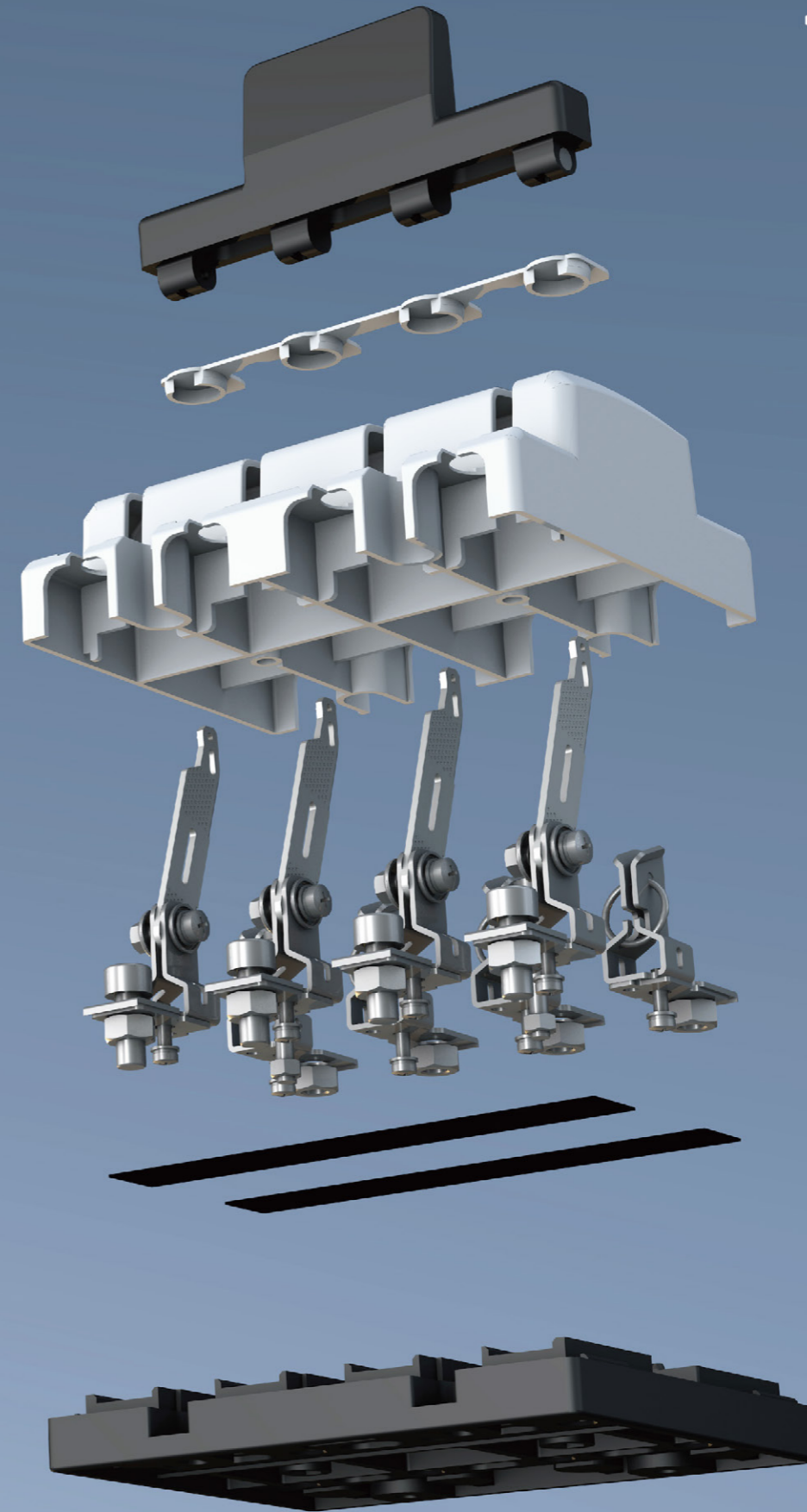
Stainless steel double spring clamps are used to improve reliability in use.



Adopt flame retardant DMC high strength resin.



The handle's anti-touch design reduces the exposure of the copper piece.



## Application

HD11N series knife switch, suitable for AC 50Hz 400/500/690V, rated service current up to 200A, for PV grid-connected box and other complete sets of power distribution equipment, as a power and load isolation switch, and with visual contact position and disconnection point, to ensure the circuit and equipment maintenance and operator safety use.

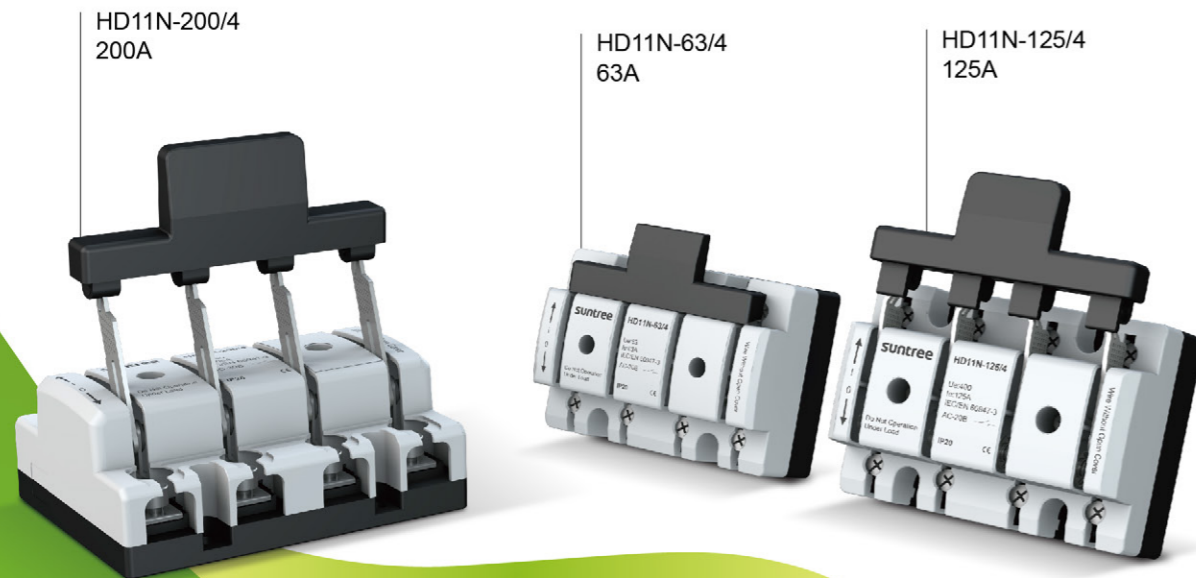
## Model and Meaning



## Standards compliant

GB/T 14048.3-2017: Low-voltage switchgear and controlgear-Part 3: Switches, disconnectors, switch-disconnectors and fuse-combination units

GB/T 20645-2021: Specific environmental condition-Technical requirements of low-voltage apparatuses for plateau



## Technical parameters

Conventional thermal current Ith(A)	<b>63</b>	<b>125</b>	<b>200</b>
Rated service current (Ie) (A)	16A, 20A, 25A, 32A, 40A, 50A, 63A	16A, 20A, 25A, 32A, 40A, 50A, 63A, 80A, 100A, 125A	80A, 100A, 125A, 160A, 200A
Rated service voltage Ue(V)	400V/500V/690V	400V/500V/690V	400V/500V/690V
Rated insulation voltage Ui (V)	1000	1000	1000
Rated impulse withstand voltage (KV)	8	8	8
1S short time withstand current (KA)	1.2	3	5
Utilization category	AC-20B	AC-20B	AC-20B
Rated duty	Long term service	Long term service	Long term service

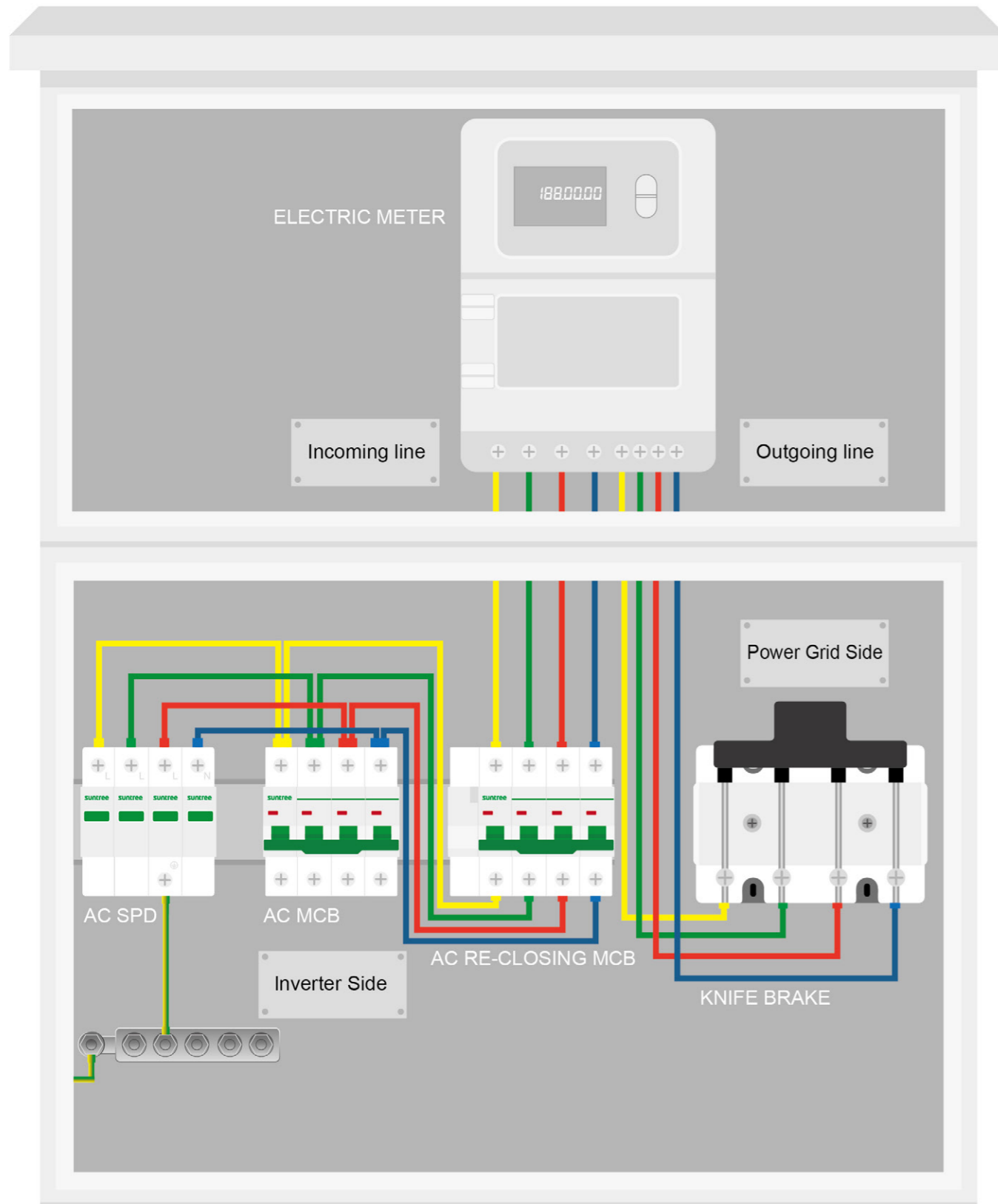
## Temperature rises of terminal

Rated current	2m wire cross-sectional area mm <sup>2</sup>	Temperature rises of terminals k	
<b>50</b>	10	< 35	
<b>63</b>	16	< 45	

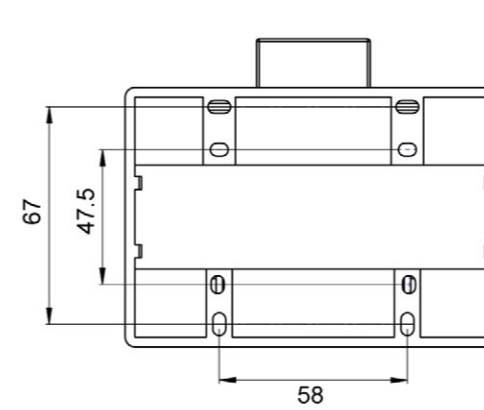
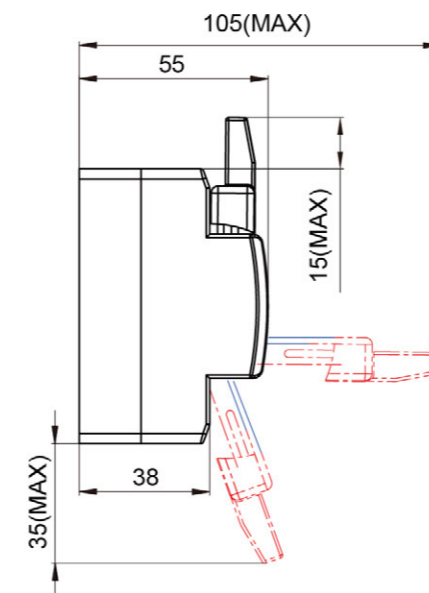
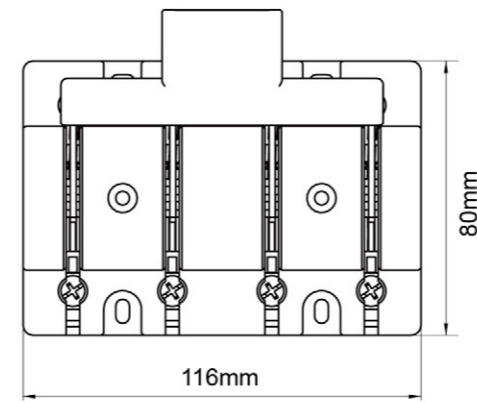
Rated current	2m wire cross-sectional area mm <sup>2</sup>	Temperature rises of terminals k	
<b>100</b>	35	< 35	
<b>125</b>	50	< 45	

Rated current	2m wire cross-sectional area mm <sup>2</sup>	Temperature rises of terminals k	
<b>160</b>	70	< 35	
<b>200</b>	95	< 45	

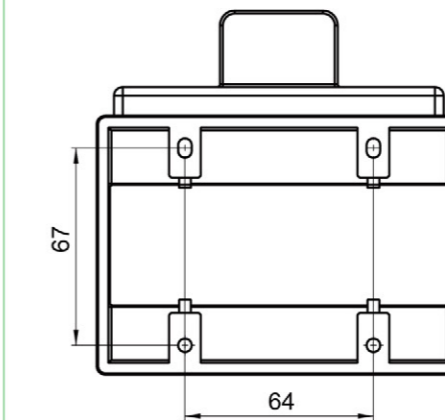
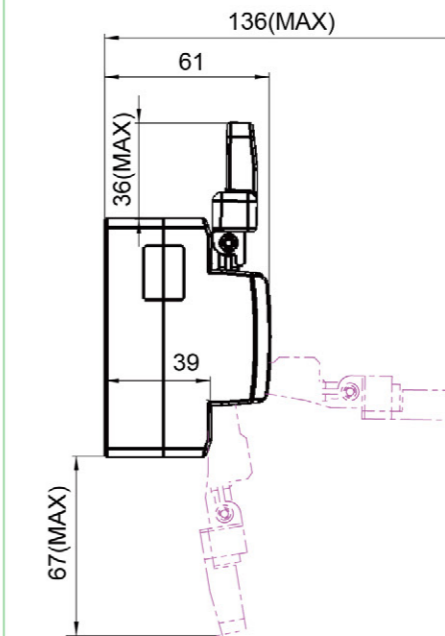
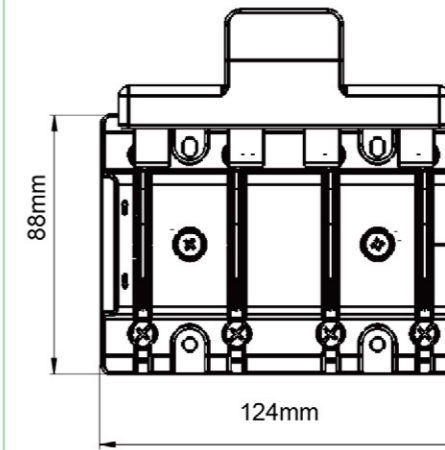
## 25KW grid-connected cable



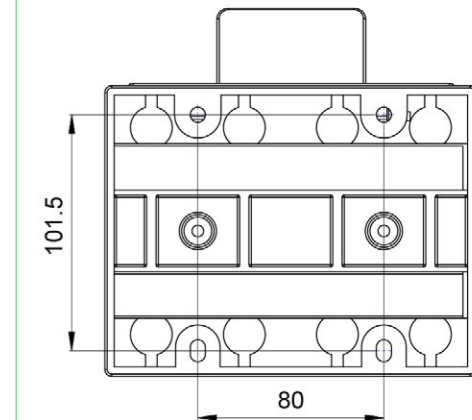
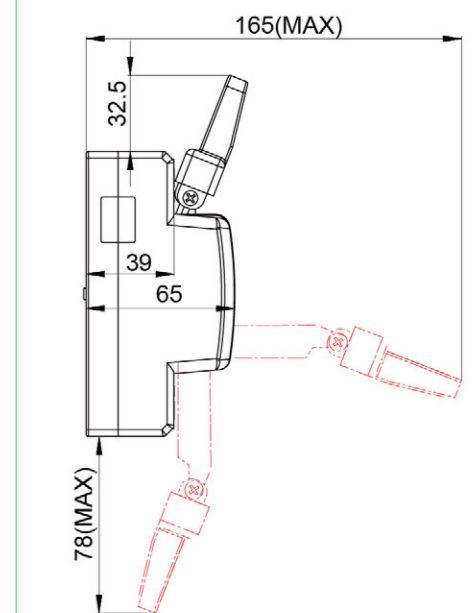
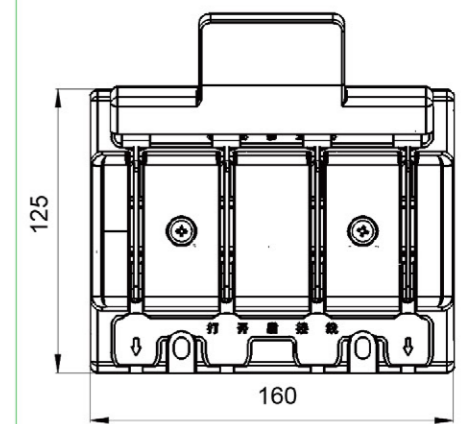
### Application



HD11N-63/4 ▲



HD11N-125/4 ▲



HD11N-200/4 ▲