

Head office: SUNTREE(China)Electric Co., Ltd.

└ Add: Xinguang Industrial Zone, Liushi, Yueqing Zhejiang China
Tel: +86 577 6289 0205
Web: www.chinasuntree.com
Main products: Solar Accessories, such as Combiner box, DC breaker, DC isolator switch, DC spd,etc,

└ **Shanghai SUNTREE Electric Co., Ltd.** (Production base 1)
Add: No. 65 Haifeng Road, Baoshan District, Shanghai, China
Tel: +86 21 5161 9313
Main items: ATS, Load isolator switch, circuit breaker, etc

└ **Zhejiang Nudy Electric Equipment Co.,Ltd.** (production base 2)
Add: Fangdouyan Industrial Zone, Liushi, Yueqing Zhejiang China
Tel: +86 577 6178 8115
Main products: Power distribution cabinet, etc

└ **Shenzhen Litto New Energy Co.,Ltd.** (production base 3)
Add: Bldg. B, Bafangyuan Science Park, Sanmin Rd. No.3 Rd., Shuitian, Shiyan, Baoan, Shenzhen.
Tel: 86-755-8170 7800
Main products: on grid inverter, hybrid inverter, etc,

└ **Wenzhou Xinch International Trade Co.,Ltd.**
Yueqing Xinch Imp&Exp Co.,Ltd.
Add: Xinguang Industrial Zone, Liushi, Yueqing Zhejiang China
Tel: +86 577 6289 0205
Web: www.chinasuntree.com
E-mail: tony@chinasuntree.com
sell all products which are produced by suntree group in international market

www.chinasuntree.com

DC ISOLATING SWITCH WATERPROOF BUS-BOX



TECHNOLOGY, FOR BETTER LIFE.
SUNTREE ELECTRIC CONCENTRATES ON
INTELLIGENT TECHNOLOGY
FOCUS ON GREEN TECHNOLOGY
TO WORK OUT HARMONIOUS
LIFE WITH NATURE

ABOUT



Suntree Electric Co.,Ltd, an outstanding company in China intelligent electrical industry, a legendary growing company.

Suntree, have leading R&D and manufacture capacity. With power grid, new energy, intelligent electric, and middle & high voltage four sales business units. With production plants in Shanghai, Zhejiang, Shenzhen.

Suntree New enery business unit concentrate on new energy (Solar power generation , wind power, new energy application etc.), distribution system research and development, manufacture, sales and service. Suntree has great independent innovation ability, with many core technology, gain many patents, with ISO9001:2008, 14000, OHSAS18000 etc.

Suntree brand DC products used in Photovoltaic systems with leading technology in this area, passed CE,CB, IEC, Nemko, SAA, TUV, CCC, Gold-sun etc. Litto breand PV inverter authorized with TUV, CE, CQC, ETLQCQC, AS4777, VDE-AR-4105, VDE0126-1-1, G59/2, G83/2, MEA, PEA, EN50438, EN60116, EN61727 etc. certificates.

SUNTREE

www.chinasuntree.com

Suntree new energy products including: Solar Photovoltaic distribution system (DC MCCB, DC MCB, Intelligent DC ACB, DC SPD, DC Fuse, Intelligent PV Combiner box. And Litto Brand on-grid and off-grid inverter, high frequency isolated inverter and energy storage inverter etc.

Wind power distribution system: Intelligent wind power frame circuit breaker (plateau type, salt-fog resistance type, low temperature resistance type), Moulded case circuit breaker.

New energy application: Litto brand Charging pile module.

First class products, it from advanced design concept, precise production equipment, strict testing, perfect quality assurance system, quick feedback and excellent after sales service

To provide customer with our first class products and service is our persistent goal.

Suntree company spirit "Innovation, Communication, Service, Dream", insist on "Human, technology, nature" harmonious development, according to "Win-win, win future" cooperation concept. Sincerely hope to cooperate with you to win future.

www.chinasuntree.com



CB

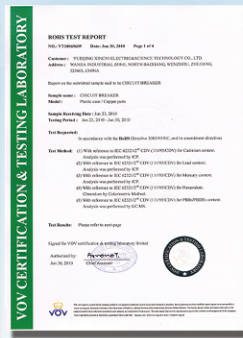
CE



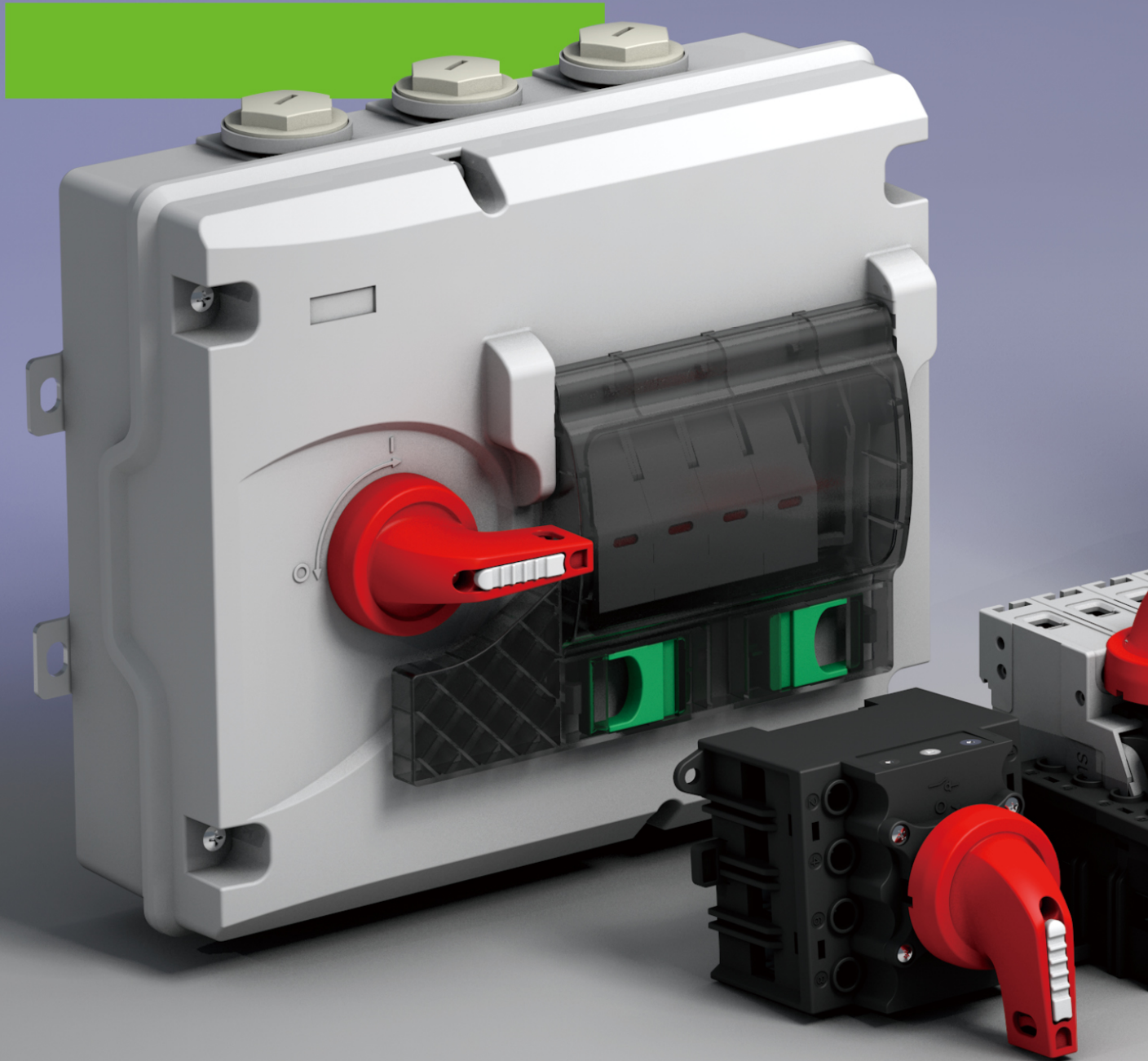
IEC

ROHS

Nemko



SOLAR ENERGY



Technology
Connects human and nature

ACCESSORIES

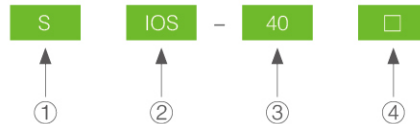




DC ISOLATING SWITCH WATERPROOF BUS- BOX

- Model
SISO-40/F, SISO-40/M, SISO-40/MF
SISO-40/S (customization acceptable)

MODEL NAMED



- ① Suntree electric
- ② Product model (combiner box)
- ③ Input channel (4/6/8)
- ④ Output channel

SCOPE OF APPLICATION

SISO-40/F, SISO-40/M, SISO-40/MF, SISO-40/S DC isolating switch waterproof bus-box is suitable for photovoltaic system. The rated voltage U_e : DC1500V, The rated current I_e : 40A and below, as the wiring device in the system, it has the function of confluence to ensure the orderly connection of photovoltaic modules. The confluence box can confluence the photovoltaic series electric energy, and then form a complete photovoltaic and wind power generation system through the controller and inverter, so as to realize the grid connection it can also application in off-grid, energy storage system and maintenance function. It can match DC circuit breaker, fuse, surge protector, MC4 connector, M25 waterproof connector and photovoltaic cable connector. (IP66) protection performance, with super waterproof, dustproof, anti-corrosion, anti-ultraviolet and other characteristics; it can perfectly meet the needs of safe electricity consumption in the harsh outdoor environment such as rain, dust, freezing and strong ultraviolet rays. This Product are widely used in smelting, chemical, electric power, electronics, airports, railways, construction sites, mines, quarries, water supply and drainage treatment plants, automobile manufacturing and port, wharf, shopping malls, hotels etc.

APPLICABLE STANDARDS

Standard: GB/T 14048.2 GB/T 14048.1/3 GB/T18802.1

The international standard: IEC/EN60947-2 AS/NZS IEC60947.3 IEC61643-31

WORKING ENVIRONMENT

- Suitable for indoor or outdoor use
- The installation type: suitable for vertical or horizontal use
- The environment temperature: -40°C $+70^{\circ}\text{C}$, The average value within 24h does not exceed 40°C
- The altitude: No more than 2000 m
- Pollution levels: Level 3
- Install the category: III Class
- Storage and transportation: The ambient limit temperature is -25°C \sim $+60^{\circ}\text{C}$, the air relative humidity is not more than 95% when the temperature is 25°C , and the height of free fall is not more than 50mm; In the process of transportation, it shall not be subjected to strong jolt, vibration and bump, and shall be protected from rain and snow.
- Notice: All connector used in must be IP65 waterproof or above protection level (except indoor or installation without protection requirements).

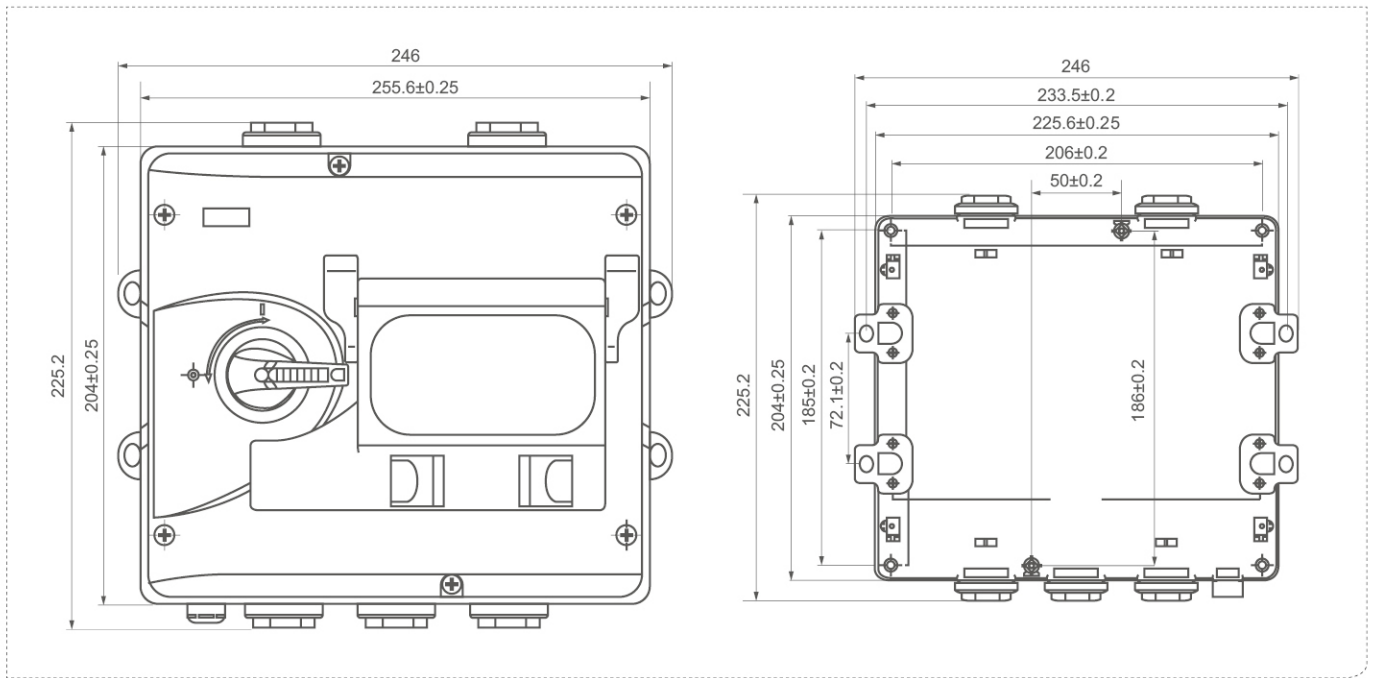
SCOPE OF APPLICATION

When closed, the handle is just placed on the upper end of the transparent cover, which limits the flip of the transparent cover, and the padlock hole is designed on the handle to add a padlock, so as to ensure the personal safety of users (Only break off the load first, and then split the switch "effectively cut off" the DC isolator, to open the transparent open cover and the components and switches in the transparent cover). Clear marks are provided at the opening and closing locations for easy operation;

- IP Rating:IP66
- Waterproof box resistance strength grade:IK10
- Rated voltage:Under $U_e=DC1200V$
- Rated insulation voltage: $U_i=DC1500V$
- Rated current: $I_n=16A$ 、 $I_n=25A$ 、 $I_n=32A$ 、 $I_n=40A$
- Rated working current: $I_e=6A$ $I_e=55A$
- Rated shock withstand voltage: $U_{imp}=8kV$
- Rated short time tolerance current: $I_{cw}=1.0kA(1s)$
- Rated short circuit capacity: $I_{cm}=1.7kA$
- Rated short circuit current: $I_{cn}=3kA$
- Mechanical life:10000 times
- Overvoltage Category:III
- Utilization Category:DC-PV1、DC-PV2(DC-21B)

DC Isolating Switch Waterproof Bus-box Model	SISO-40/F	SISO-40/M	SISO-40/S	SISO-40/FM	Customised
Waterproof Box Material	PC/Polycarbonate				
Waterproof Protection Grade	IP66				
Waterproof Box Resistance Strength Grade	IK10				
Pole/String	5				
Size of Photovoltaic Cable connection	4mm ² -6mm ²				
Match Power Generation System Capacity	2				
Installation	Vertical installation				
	DC Isolating Switch/DC Disconnecter				
Voltage	$U_e=DC1200V$ $U_e=DC1000V$ and below				
Current	$I_e=6A$ $I_e=55A$				
Pole	4P				
String	2	1	1	1	1-2
Certification	CE CB SAA TUV				
	DC Surge Arrestor				
Voltage	$U_e=DC1500V$ $U_e=DC1200V$ $U_e=DC1000V$ and below				
Maximum instantaneous discharge current	$I_n=20KA/40KA$				
Pole	2P 3P				
Certification	CE TUV				
	DC Circuit Breaker				
Voltage	$U_e=DC1200V$ $U_e=DC1000V$ and below				
Current	$I_n=6A$ $I_n=10A$ $I_n=16A$ $I_n=20A$ $I_n=25A$ $I_n=32A$ $I_n=40A$ $I_n=50A$ $I_n=63A$				
Pole	1P 2P 3P 4P				
Auxiliary	$U_s:DC12V$ $DC24V$ $DC48V$ $AC230V/415V$ 1A-2A MX+OF				
Certification	CE CB TUV SAA				
	Dc Fuse				
Voltage	$U_e=DC1100V$				
Current	$I_n=1A$ $I_n=3A$ $I_n=5A$ $I_n=6A$ $I_n=10A$ $I_n=16A$ $I_n=20A$ $I_n=25A$ $I_n=30A$				
Specification	10*38mm				
Certification	CB CE TUV				

INSTALLATION DIMENSIONS AND BOUNDARY DIMENSIONS



ORDERING INSTRUCTIONS

Example of customer order:

Contact information: **400-021-6829**